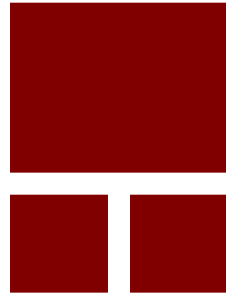


Capacitor Networks - SIP

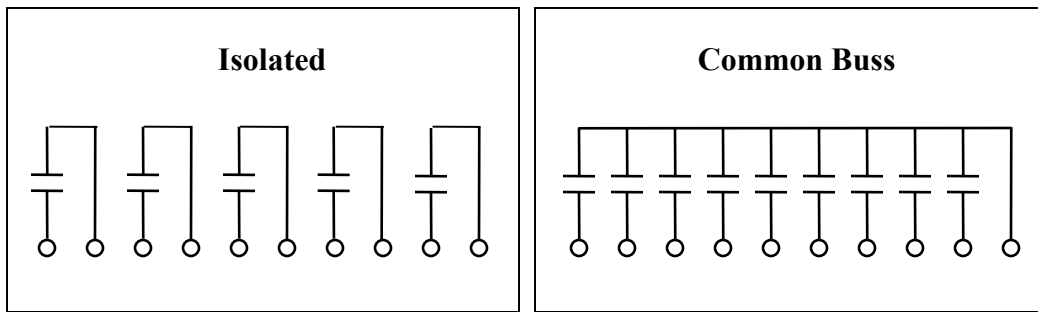


Capacitor Networks - SIP

Features

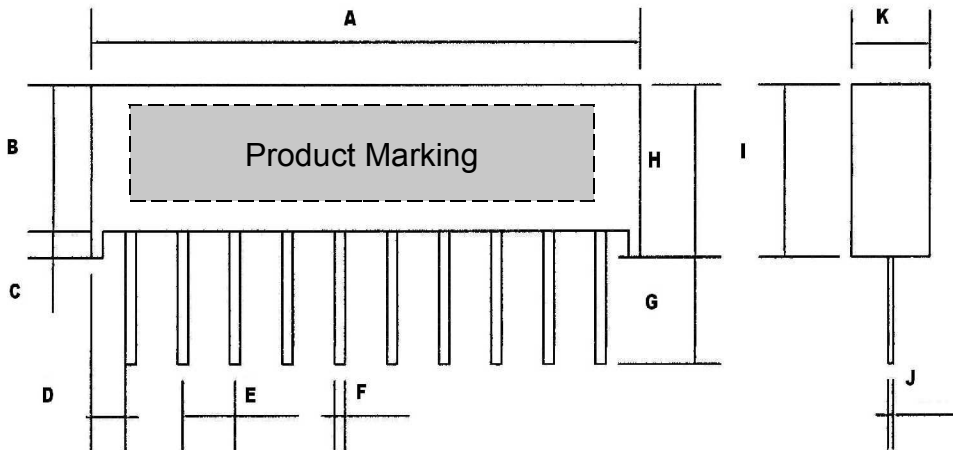
- STANDARD & CUSTOMIZED PACKAGES
- CHOICE OF CAPACITORS & PREFERRED MANUFACTURER
- RANGE OF 4-16 PINS
- CUSTOMIZED PRODUCT MARKING
- 30 PCS TUBE PACKAGING & CUSTOM PACKAGING
- LEAD FREE (ROHS COMPLIANT)
- HIGH TEMPERATURE PLASTIC CASING

Circuit Configurations & Schematics (Standard)



* Custom circuit configurations and modifications can be easily made – Please contact us for more information.

Dimensions (Featured Product 10 PIN SIP)

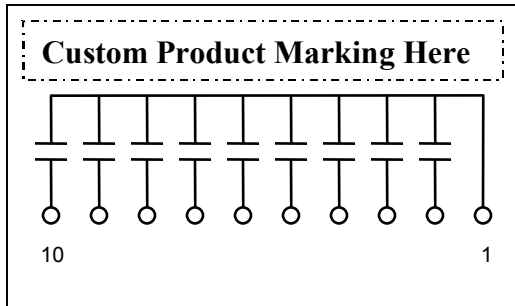


Pin #	A	B	C	D	E	F	G	H	I	J	K
7 Pin	19.1	6.2	1.0	1.66	2.54	0.51	4.0	7.2	7.2	0.25	3.8
8 Pin	21.6	6.2	1.0	1.66	2.54	0.51	4.0	7.2	7.2	0.25	3.8
9 Pin	24.2	6.2	1.0	1.66	2.54	0.51	4.0	7.2	7.2	0.25	3.8
10 Pin	26.7	6.2	1.0	1.66	2.54	0.51	4.0	7.2	7.2	0.25	3.8

All Dimensions are in MM / Drawing not to scale / Tolerance 0.0+/-0.5, 0.00 +/-0.05

Capacitor Networks - SIP

Product Marking & Identification



- Case Standard Color Green
- Marking Color Black (Standard)
- Product Marking as per requirement
- Circuit diagram Identified on Marking
- Pin Configuration identified on Marking

Marking Example: C1 10 Z5U 104 M 500

C1	Capacitor Network 1 = Buss / 2 = Isolated
10	Pin identifier (9 = 9 Pin; 8 = 8 Pin)
Z5U	Dielectric Identifier (C0G, X7R, Z5U, Y5V)
104	Capacitor Value (Code 101 – 100pF, 223 – 22nF, 104 – 100nF or 0.1uF)
M	Tolerance (J +/-5%, K +/-10%, M +/-20%, Z +80,-20%)
500	Rated Voltage (2 Significant digits + number of Zeros 250=25V, 101=100V)

How to Order

- Number of Pins
- Circuit Configuration (Buss or Isolated)
- Capacitor Value and Tolerance
- Dielectric
- Rated Voltage
- Package style / Case Color
- Marking Color and Style (Please refer marking example)

** We can customize any features or requirements as per your need. Please let us know your requirements*

Contact

- ❖ Contact our Representative or Factory for Specific & custom requirements / dimensions.
- ❖ Please visit our website www.sv-components.com or www.custommadecomponents.com for contact details and more info about us.