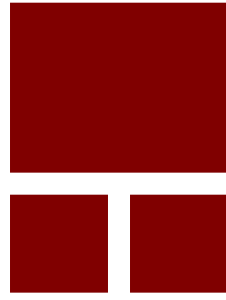


## Diode Array



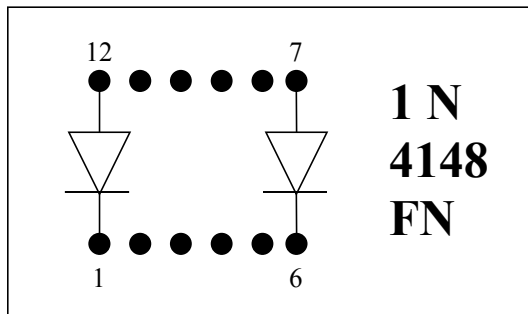
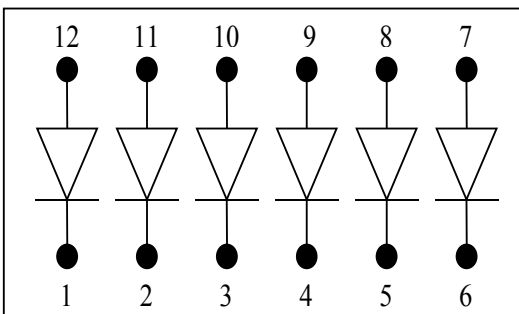
*Custom Made Components & Devices*

# Diode Array

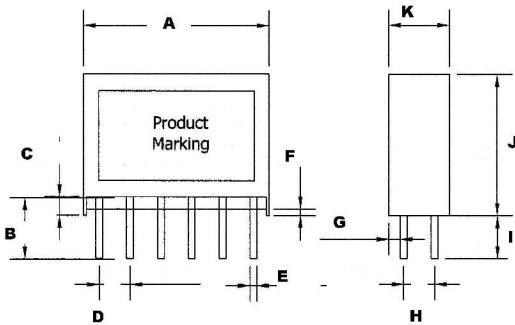
## Features

- STANDARD & CUSTOMIZED PACKAGES
- CHOICE OF DIODES & PREFERRED MANUFACTURER
- RANGE OF 4-16 PINS (STANDARD 6 PINS DIP)
- CUSTOMIZED PRODUCT MARKING
- 30 PCS TUBE PACKAGING & CUSTOM PACKAGING
- LEAD FREE (ROHS COMPLIANT)
- HIGH TEMPERATURE PLASTIC CASING (STANDARD: GREEN)

## Pin Configuration & Marking



## Dimensions (Featured Product 6 PIN DIP)



All Dimensions are in MM  
Drawing not to scale  
Tolerance 0.0 +/-0.5, 0.00 +/- 0.05

Pin	6 Pin	7 Pin	8 Pin	9 Pin
A	15.3	17.9	20.4	23.0
B	5.0	5.0	5.0	5.0
C	1.5	1.5	1.5	1.5
D	2.54	2.54	2.54	2.54
E	0.56	0.56	0.56	0.56
F	0.5	0.5	0.5	0.5
G	0.9	0.9	0.9	0.9
H	2.54	2.54	2.54	2.54
I	3.5	3.5	3.5	3.5
J	11.0	11.0	11.0	11.0
K	5.0	5.0	5.0	5.0

## Contact

- ❖ Contact our Representative or Factory for Specific & custom requirements / dimensions.
- ❖ Please visit our website [www.sv-components.com](http://www.sv-components.com) for contact details and more info about us.