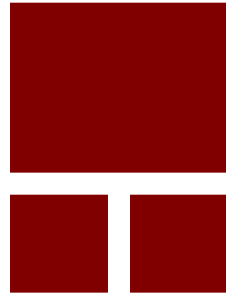


Diode Networks - SIP

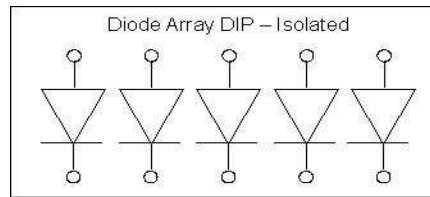
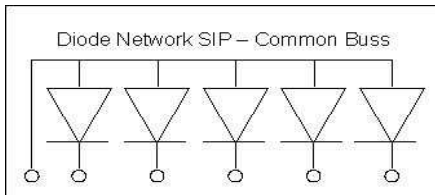


Diode Networks - SIP

Features

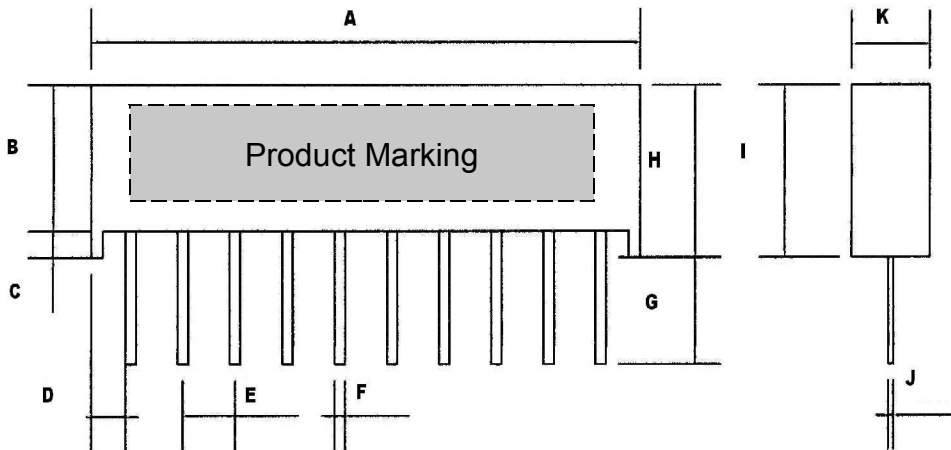
- STANDARD & CUSTOMIZED PACKAGES
- CHOICE OF DIODES & PREFERRED MANUFACTURER
- RANGE OF 4-16 PINS
- CUSTOMIZED PRODUCT MARKING
- 30 PCS TUBE PACKAGING & CUSTOM PACKAGING
- LEAD FREE (ROHS COMPLIANT)
- HIGH TEMPERATURE PLASTIC CASING

Circuit Configurations & Schematics (Standard)



* Custom circuit configurations and modifications can be easily made – Please contact us for more information.

Dimensions (Featured Product 10 PIN SIP)



Pin #	A	B	C	D	E	F	G	H	I	J	K
7 Pin	19.1	6.2	1.0	1.66	2.54	0.51	4.0	7.2	7.2	0.5	3.8
8 Pin	21.6	6.2	1.0	1.66	2.54	0.51	4.0	7.2	7.2	0.5	3.8
9 Pin	24.2	6.2	1.0	1.66	2.54	0.51	4.0	7.2	7.2	0.5	3.8
10 Pin	26.7	6.2	1.0	1.66	2.54	0.51	4.0	7.2	7.2	0.5	3.8

All Dimensions are in MM / Drawing not to scale / Tolerance 0.0+/-0.5, 0.00 +/-0.05

Diode Networks - SIP

Product Marking & Identification

Custom Product Marking Here

- Case Standard Color Green
- Marking Color Black (Standard)
- Product Marking as per requirement
- Circuit diagram Identified on Marking
- Pin Configuration identified on Marking

Marking Example: D1 10 4148

D = Diode NW / 1 = Common Buss 2= Isolated / 10 = Pin indicator / 4148 = Diode

How to Order

- Number of Pins
- Circuit Configuration (Buss or Isolated)
- Diode type
- Package style / Case Color
- Marking Color and Style (Please refer marking example)

** We can customize any features or requirements as per your need. Please let us know your requirements*

Contact

- ❖ Contact our Representative or Factory for Specific & custom requirements / dimensions.
- ❖ Please visit our website www.sv-components.com or www.custommadecomponents.com for contact details and more info about us.

