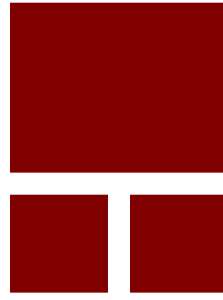


## Special Networks SIP/DIP



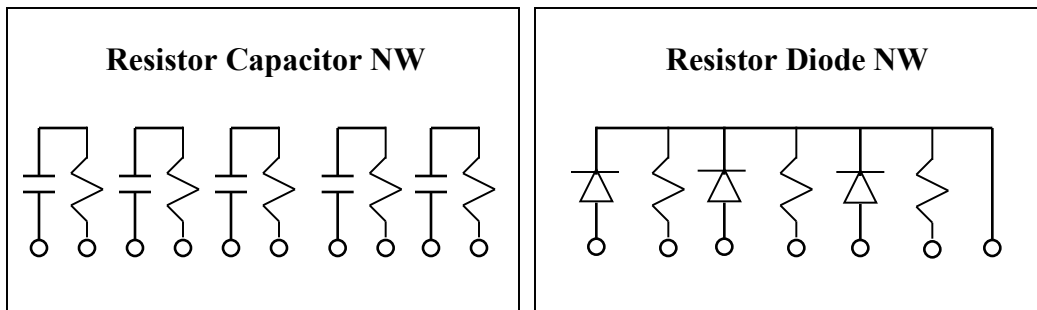
*Custom Made Components & Devices*

# Special Networks SIP/DIP

## Features

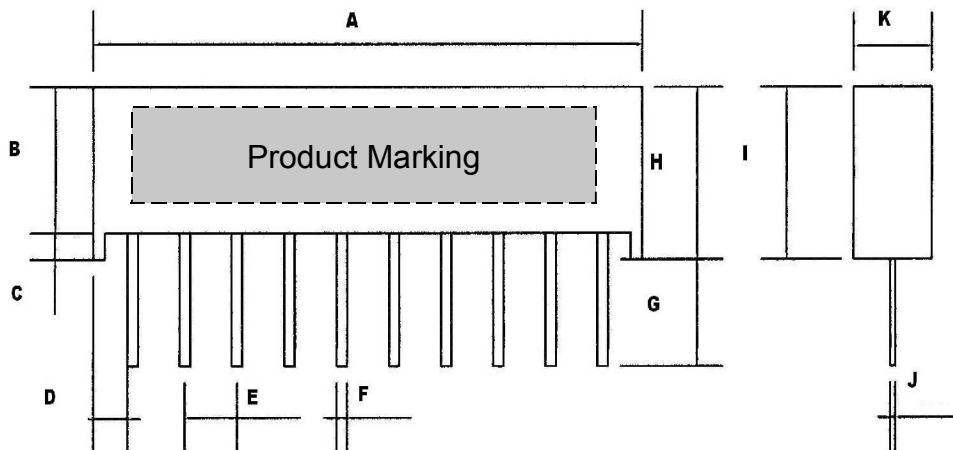
- CUSTOMIZED PACKAGES ( Any Combination ) – SIP / DIP
- CHOICE OF COMPONENTS & PREFERRED MANUFACTURER
- RANGE OF 4-16 PINS
- CUSTOMIZED PRODUCT MARKING
- TUBE PACKAGING & CUSTOM PACKAGING
- LEAD FREE (ROHS COMPLIANT)
- HIGH TEMPERATURE PLASTIC CASING

## Circuit Configurations (Example)



\*The above configuration is just an example, similar configurations can be made easily – Please contact us for more information.

## Dimensions (Example)

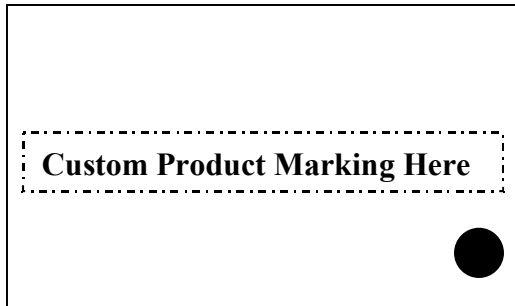


Pin #	A	B	C	D	E	F	G	H	I	J	K
Pin	Dimensions and spec sheet will be provided after receipt of circuit configuration from customer										

All Dimensions are in MM  
 Drawing not to scale  
 Tolerance 0.0 +/-0.5, 0.00 +/- 0.05

# Special Networks SIP/DIP

## Product Marking & Identification (Example)



- Case Standard Color Green
- Marking Color Black (Standard)
- Product Marking as per requirement
- Circuit diagram Identified on Marking
- Pin Configuration identified on Marking

Marking Example: RD NW (Common Pin Marked)

## How to Order

- Number of Pins
- Circuit Configuration (send us a drawing)
- Component Value and Tolerance
- Special Requirements (if any)
- Required Quantity
- Case Color
- Marking Color and Style (Please refer marking example)

*\* We can customize any features or requirements as per your need. Please let us know your requirements*

## Contact

- ❖ Contact our Representative or Factory for Specific & custom requirements / dimensions.
- ❖ We will work with you and provide engineering support to develop the package from scratch.
- ❖ Please visit our website [www.sv-components.com](http://www.sv-components.com) for contact details and more info about us.